

PRODUCT SPECIFICATIONS

ALL-WEATHER CONCRETE WASHOUT

Model: 950-12304AW

USED FOR:

**CONCRETE, SEDIMENT,
PAINT, DRYWALL, STUCCO, OR MORTAR**

SPECIFICATIONS:

BODY: 122x122x30.48cm(H) (48"x48"x12"(H)) (+/- 1/2")

TOP COVER: 17x17cm (43 1/2"x43 1/2")

BOTTOM SPOUT: None

BODY: PP 160gsm Orange UV

LIFT BELT: PP 50mm Black 3.73mx2ea=7.46m UV

CORRUGATED PLASTIC: White 6mm Inner Walls

PERI BAND: PP 50mm 1/2 folded Black 3.75mx1ea UV

BOTTOM LOOPS: PP 20mm White 20cmx2ea=40cm

BODY PP TAPE: PP 20mm White 15cmx6ea

PRINT: B: 2S / 1C (Black)

LABEL: PL / 2ea

LINER: PE 6mil (Leak Proof Gusset Bag with Virgin Resin)

TENT POLES: 51.25"(L) (Pole Pocket 3.5" from Edge)

SPECIAL INSTRUCTION:

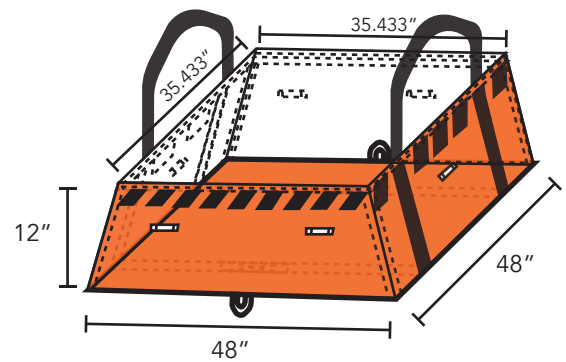
SF : 5 to 1 @2,000lbs

THREAD COLOR : Black

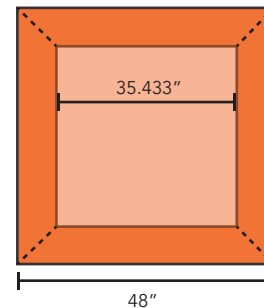
FIBERGLASS POLES INCLUDED

PAINT/CONCRETE SIGN SLIDES INTO TOP COVER

PALLETIZING: 48 units per pallet



TOP VIEW



TOP COVER ATTACHED TO WASHOUT

(THESE STRAPS ATTACHED TO WASHOUT)

