

# PRODUCT SPECIFICATIONS

## ALL-WEATHER CONCRETE WASHOUT

Model: 950-12306AW

### USED FOR:

**CONCRETE, SEDIMENT,  
PAINT, DRYWALL, STUCCO, OR MORTAR**

### SPECIFICATIONS:

BODY: 190x190x30cm(H) (75"x75"x12"(H)) (+/- 1")

TOP COVER: Sold Separate

BOTTOM SPOUT: None

BODY: PP 160gsm Orange UV

LIFT BELT: PP 50mm Black 5.2m x 4ea = 20.8m UV

CORRUGATED PLASTIC: White 6mm Inner Walls

PERI BAND: PP 50mm 1/2 folded Black 6.15m x 1ea UV

BOTTOM LOOPS: PP 20mm White 20cm x 2ea = 40cm

BODY PP TAPE: PP 20mm White 15cm x 8ea = 1.2m

PRINT: 2S (Front/Back) / 1C (Black)

LABEL: PL / 2ea

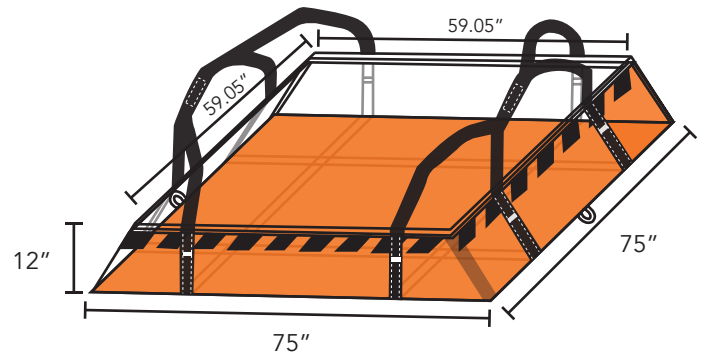
LINER: PE 6mil (Leak Proof Gusset Bag with Virgin Resin)

### SPECIAL INSTRUCTION:

SF: 5 to 1 @4,000lbs

THREAD COLOR: Black

PALLETIZING: 24 units per pallet



PLASTIC LINING



CENTER STRAP  
HOLDING RING  
ON 3 SIDES